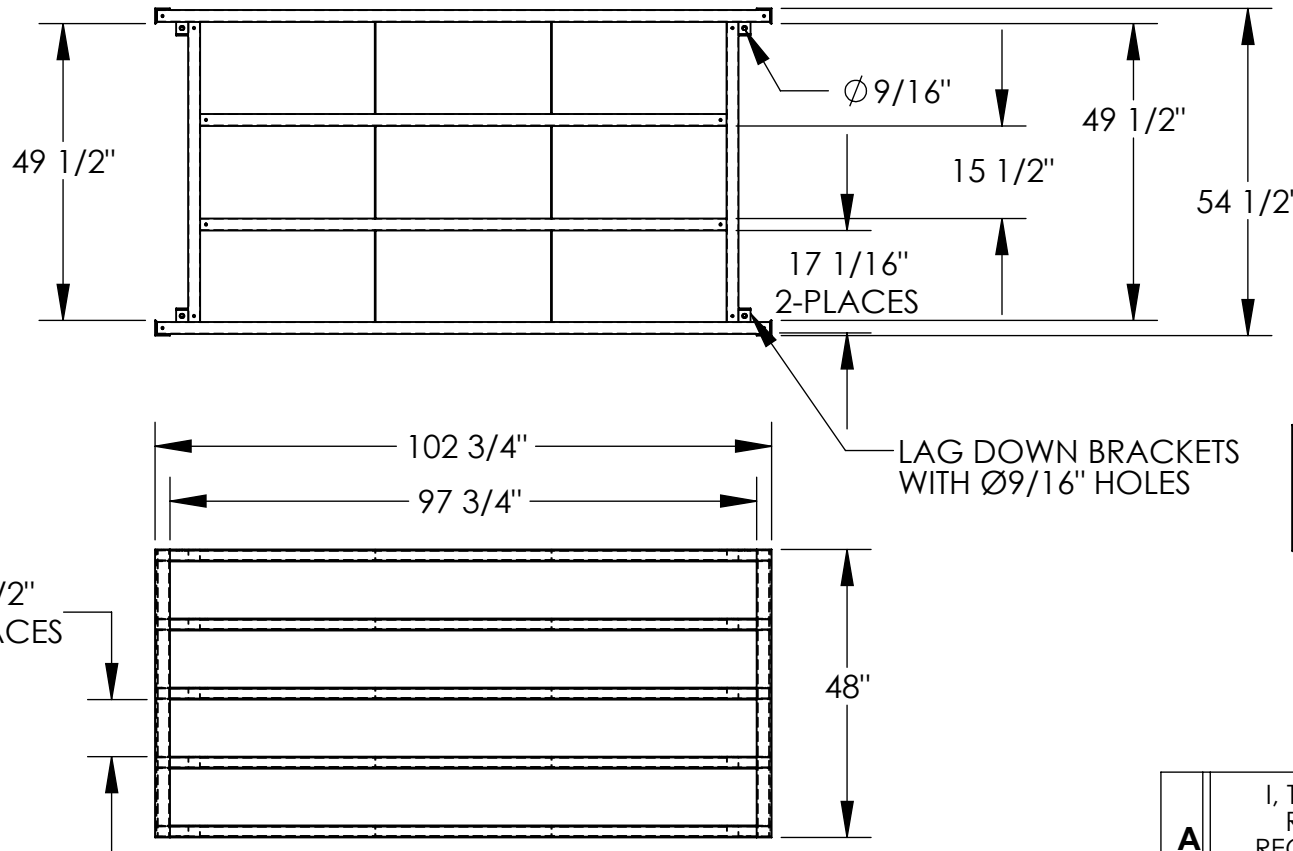


HORIZONTAL SHEET RACK - SHEET-R-57

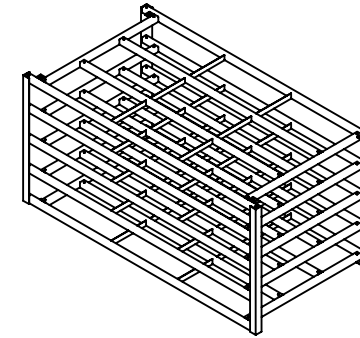
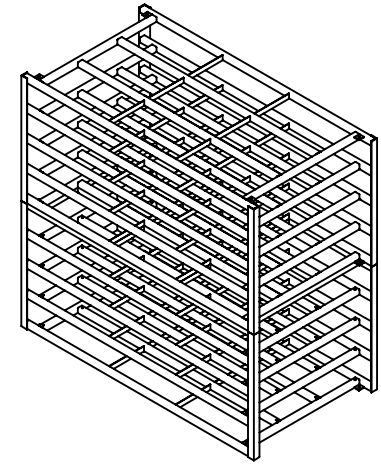
APPROX WEIGHT: 520.45 lbs.
DOES NOT INCLUDE WEIGHT OF POWER OR PACKAGING!!!

*** ANY ADDITIONS, DELETIONS, OR OMISSIONS MUST BE CORRECTED ON THIS DRAWING AS THIS DRAWING WILL BE CONSIDERED ALL INCLUSIVE ***

ALL GRAPHICS PROVIDED ARE FOR REFERENCE ONLY. IF CERTAIN DIMENSIONS ARE CRITICAL PLEASE VERIFY THOSE DIMENSIONS WITH YOUR SALESPERSON



STACKED UNIT
- UNITS SOLD SEPERATELY
- MAX 2 UNITS HIGH
- CAPACITY @ 2 HIGH IS 16,000LBS



SINGLE UNIT

DIMENSION TOLERANCE $\pm 1/4$ "

STANDARD FEATURES

- MODEL NUMBER: SHEET-R-57
- CAPACITY PER SHELF: 2,000 LBS
- 10,000 LBS MAX FOR SINGLE UNIT
- OVERALL WIDTH: 54 1/2"
- USABLE WIDTH: 49 1/2"
- OVERALL LENGTH: 102 3/4"
- USABLE LENGTH: 97 3/4"
- OVERALL HEIGHT: 48"
- NUMBER OF SHELVES: 5
- DISTANCE BETWEEN SHELVES: 9 1/2"
- UNIT SUPPLIED WITH LAG DOWN BRACKETS
- TOUGH BAKED IN POWDER COATED BLUE FINISH
- HARDWARE NOT INCLUDED

SPECIAL FEATURES

NONE

APPROVAL

I, THE UNDERSIGNED, AGREE THAT THE PRODUCT AS REPRESENTED SATISFIES DESIGN AND DIMENSION REQUIREMENTS. I ALSO ACKNOWLEDGE MY DUTY TO CONFIRM PRODUCT AND INSTALLATION COMPLIANCE WITH ALL APPLICABLE FEDERAL, STATE AND LOCAL REGULATIONS AND STANDARDS.
UNITS REQUIRING APPROVAL DRAWINGS OR MODIFIED ARE NON-RETURNABLE
[] As drawn [] As marked

Signed: _____ Date: _____

Printed Name: _____

LEAD TIME WILL START UPON RECEIPT OF SIGNED APPROVAL DRAWING

DISTRIBUTOR'S NAME:		P.O.#
VESTIL MANUFACTURING		X
DRAWN BY: NF		DATE: 6/17/05
REFERENCE: X		SCALE: 1:24
QUOTED LEAD TIME: X		QUOTE # X
		SALES: X
		FILE NAME: 31-007-008